

# IHB INDUSTRIAL HIGH BAY

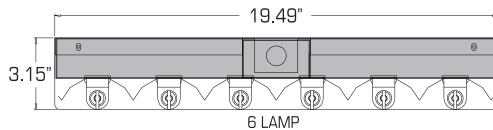
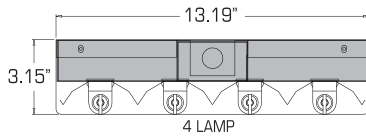
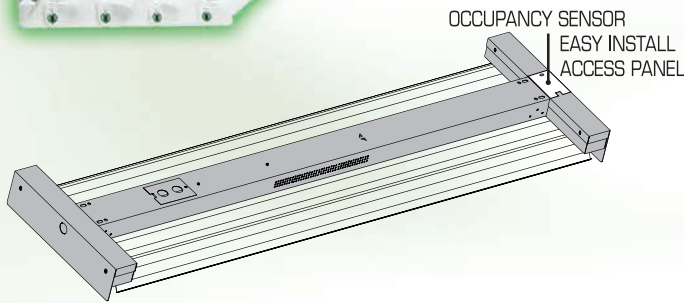
## IHB

Available Configurations:

**454, 654  
632**

4 or 6 T5 LAMPS  
6 T8 LAMPS

*4/F32T8 fixture is  
available by request.*



### FEATURES & BENEFITS

**Energy efficient alternative to traditional HID lighting**

**Compatible**

Works with occupancy sensors

**Ballast Access**

Knockouts for mounting and electrical

**Sensor Installation Access**

Knockouts for easy installation of occupancy sensors

### SPECIFICATIONS

**Construction**

22 gauge prime cold-rolled steel housing

**Finish**

White powder coat, 86% minimum average reflective

**Optics**

Designed to optimize lamp performance and light output.

**Reflector**

White (Mirror finish available upon request)

**Electronics**

Ballasts are Class "P" and are secured by mounting bolts. Suitable for damp location use.

**Mounting**

V-Hooks included. Product is ideal for surface and suspension mounting

**Warranty**

5 year/55°C for T5 and T8 configurations



CODE	DESCRIPTION	NO. OF BULBS	TYPE OF BULB	VOLT
54920	INDUSTRIAL HIGH BAY WHITE/WHITE 4/F54T5 120/277V W/V-HOOKS	4	T5	120/277V
54925	INDUSTRIAL HIGH BAY WHITE/WHITE 6/F54T5 120/277V W/V-HOOKS	6	T5	120/277V
54922	INDUSTRIAL HIGH BAY WHITE/WHITE 6/F32T8 120/277V W/V-HOOKS	6	T8	120/277V
54923	INDUSTRIAL HIGH BAY MIRO 95% 4/F32 HBF 1.14 120/277V W/V-HOOKS	4	T8	120/277V



**PREMIUM QUALITY LIGHTING**  
1.800.323.8107 • FAX: 1.877.619.7053  
www.pqlighting.com

©2012 PQL, Inc.