

LED 360° HIGH BAY RETROFIT

INSTALL INSTRUCTIONS



PLEASE FIND A QUALIFIED ELECTRICIAN FOR INSTALLATION. Please read the instructions before you install and use the luminaire.

GENERAL: ALL ELECTRICAL CONNECTIONS MUST BE IN ACCORDANCE WITH LOCAL AND NATIONAL ELECTRICAL CODE (N.E.C.) STANDARDS. IF YOU ARE UNFAMILIAR WITH PROPER ELECTRICAL WIRING CONNECTIONS OBTAIN THE SERVICES OF A QUALIFIED ELECTRICIAN. REMOVE THE TRIM FROM THE BOX AND MAKE SURE THAT NO PARTS ARE MISSING.

WARNING - Risk of fire or electric shock. LED Retrofit Kit installation requires knowledge of luminaires electrical systems. If not qualified, do not attempt installation. Contact a qualified electrician.

WARNING - Risk of fire or electric shock. Install this kit only in luminaires that have the construction features and dimensions shown in the photographs and/or drawings and where the input rating of the retrofit kit does not exceed the input rating of the luminaire.

Do not make or alter any open holes in an enclosure of wiring or electrical components during kit installation.

WARNING - To prevent wiring damage or abrasion, do not expose wiring to edges of sheet metal or other sharp objects.

Risk of Electric Shock: Disconnect power or circuit breaker before installing or servicing.

LED is not compatible with dimmers, electronic switches, photocells, or remote control operation.

Not for use in wet locations, areas of extreme high humidity (above 85% R.H.), or where exposed to the weather.

Avoid touching the lamp with bare hands when in operation.

Avoid extended eye contact when in operation.

If the product exhibits unusual flickering or output, discontinue use and contact manufacturer.

Fixture is suitable for enclosed fixtures and damp locations.

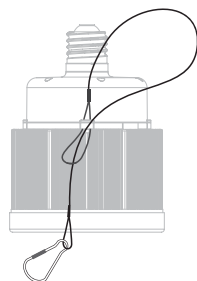
! WARNING DISCONNECT POWER BEFORE INSTALLING OR SERVICING.

1. Turn off power to the fixture.
 2. Remove the existing lamp and recycle appropriately.
 3. Disconnect existing ballast if equipped, and connect line voltage directly to lamp socket.
- Note: Failure to do so may cause LED lamp to fail quickly and void warranty.*
4. Install LED lamp.
 5. Restore power to fixture.

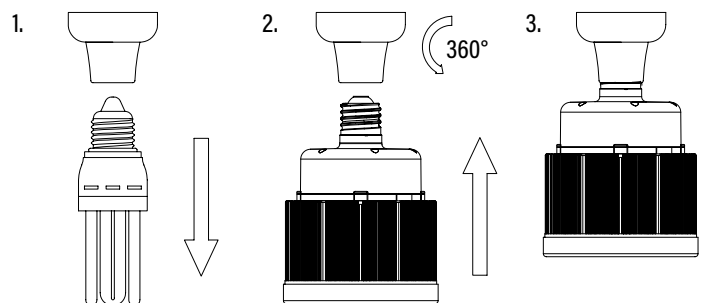
Safety Cable Included:

1. Feed the end of the cable with the larger loop through the opening on the side of the lamp.
2. Then place the smaller loop with the clip back through the larger loop and pull until the cable tightens around the side of the lamp. (Fig 1)
3. Securing the clip to the fixture.

Fig. 1



HIGH BAY RETROFIT



HIGH BAY RETROFIT WITH REFLECTOR

