

16" REFLECTOR INSTALLATION

FOR 100W - 300W LED COMPASS HIGH BAYS



WARNING Before installing, servicing, or performing routine maintenance upon this equipment, follow these general precautions:

- Turn off the power before installation or performing any maintenance.
- Avoid prolonged eye contact with light while it is on.
- Account for small parts and destroy packing material, as these may be hazardous to children.

90360 - ALUMINUM REFLECTOR

Kit includes: 1 Reflector and 3 Screws.

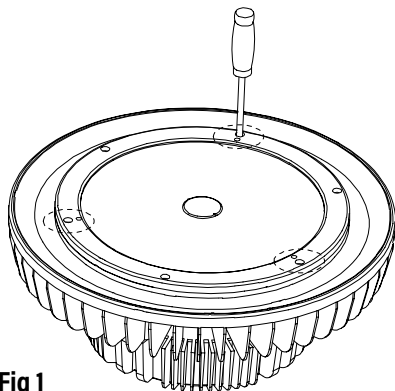


Fig 1

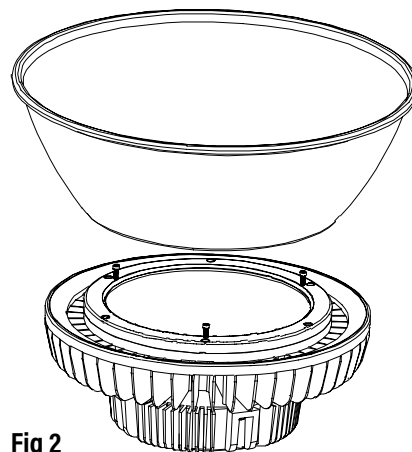


Fig 2

1. Insert screw (x3) into each threaded hole and slightly tighten them. (Fig. 1)
2. Align and insert screws into holes on the aluminum reflector. Turn reflector counterclockwise to lock in place. Tightening the screws completely to secure the reflector to the fixture. (Fig. 2)