

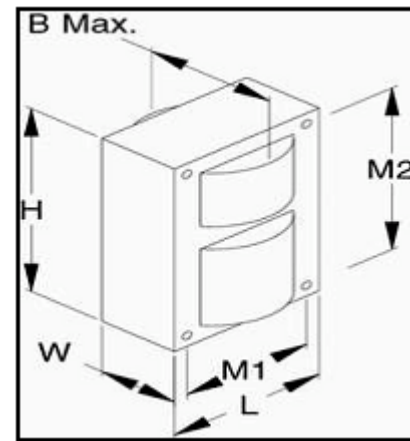
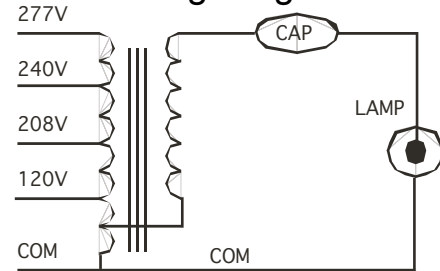


Catalog#	81996
Type:	1000W Metal Halide
Voltage:	Quad(120/208/240/277)

BALLAST KIT MH1000 QUAD-TAP

Lamp Type	MH1000
ANSI Designation	M47 or H36
Line Voltage(V)	120/208/240/277
Regulation	10%
Frequency(Hz)	60
Recommended Fuse(A)	20/15/10/10
Circuit Type	CWA
Insulation Class	180
Capacitor Value	24MF
Capacitor Voltage Rating	480V
Cap.Temp.Rating	105
Winding Materials(Pri/Sec)	Al/Al
Lamp Starter	N/A
Agency Certification	RU,cRU
Maximum Distance to Lamp	N/A

Wiring Diagram



Electrical Characteristics

Line Volt (V)	Power Factor	Line Current (A)			Input Power (W)	Open Circuit Voltage (V)	Min Start Temp.	UL Temp. Code
		Operating	Open	Start				
120	High	9.50	5.30	9.10	1070	415	-30_	D
208	High	5.20	3.10	4.80	1070	415	-30_	C
240	High	4.50	2.70	4.00	1070	415	-30_	D
277	High	3.90	2.40	3.95	1070	415	-30_	D

Physical Characteristics

Overall Dimensions (Inches)				Mounting Holes (Inches)			Bracket Dimension (Inches)		Ballast Net Weight (KG)	Lead Length (Inches)
Length	Width	Height	B max.	Diameter	M1	M2	Length	Width		
4.41	3.46	5.75	5.43	0.25	4.00	5.37	7.25	1.11	9.11	12-14