

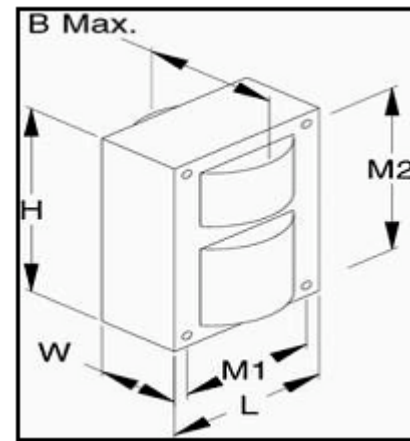
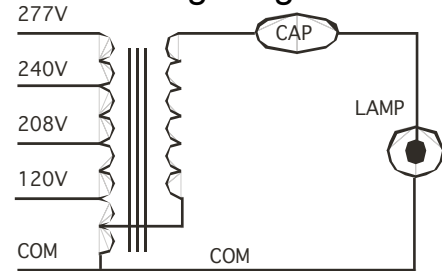


Catalog#	81994
Type:	400W Metal Halide
Voltage:	Quad(120/208/240/277)

### BALLAST KIT MH400 QUAD-TAP

Lamp Type	MH400
ANSI Designation	M59 or H33
Line Voltage(V)	120/208/240/277
Regulation	10%
Frequency(Hz)	60
Recommended Fuse(A)	10/7/5/5
Circuit Type	CWA
Insulation Class	180
Capacitor Value	24MF
Capacitor Voltage Rating	400V
Cap.Temp.Rating	105
Winding Materials(Pri/Sec)	Al/Al
Lamp Starter	N/A
Agency Certification	RU,cRU
Maximum Distance to Lamp	N/A

### Wiring Diagram



### Electrical Characteristics

Line Volt (V)	Power Factor	Line Current (A)			Input Power (W)	Open Circuit Voltage (V)	Min Start Temp.	UL Temp. Code
		Operating	Open	Start				
120	High	4.00	2.95	2.50	430	300	-30_	C
208	High	2.30	1.85	1.40	430	300	-30_	D
240	High	2.00	1.65	1.20	430	300	-30_	C
277	High	1.70	1.45	1.00	430	300	-30_	D

### Physical Characteristics

Overall Dimensions (Inches)				Mounting Holes (Inches)			Bracket Dimension (Inches)		Ballast Net Weight (KG)	Lead Length (Inches)
Length	Width	Height	B max.	Diameter	M1	M2	Length	Width		
4.25	2.32	4.75	4.13	0.25	3.87	4.38	7.25	1.11	5.18	12-14