

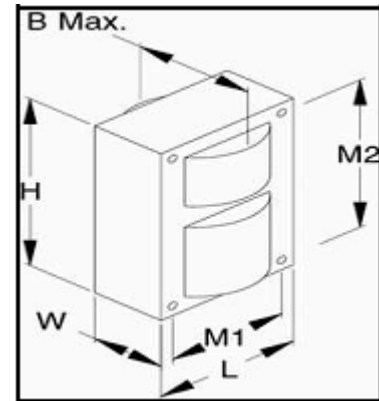
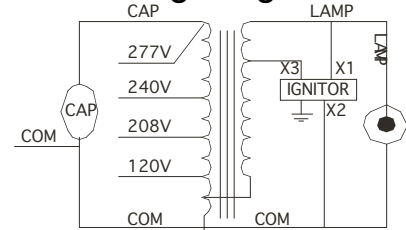


Catalog#	81986
Type:	100W Metal Halide
Voltage:	Quad(120/208/240/277)

BALLAST KIT MH100 QUAD-TAP

Lamp Type	MH100
ANSI Designation	M91
Line Voltage(V)	120/208/240/277
Regulation	5%
Frequency(Hz)	60
Recommended Fuse(A)	6/4/3/3
Circuit Type	HX-HPF
Insulation Class	180
Capacitor Value	10 MF
Capacitor Voltage Rating	280V
Cap. Temp. Rating	105
Winding Materials(Pri/Sec)	Al/Al
Lamp Starter	BI-802
Agency Certification	RU,cRU
Maximum Distance to Lamp	2FT

Wiring Diagram



Electrical Characteristics

Line Volt (V)	Power Factor	Line Current (A)			Input Power (W)	Open Circuit Voltage (V)	Min Start Temp.	UL Temp. Code
		Operating	Open	Start				
120	High	1.20	2.32	1.30	125	280	-40_	G
208	High	0.67	1.39	0.90	132	290	-40_	G
240	High	0.58	1.16	0.60	125	280	-40_	F
277	High	0.50	1.00	0.48	125	280	-40_	G

Physical Characteristics

Overall Dimensions (Inches)				Mounting Holes (Inches)			Bracket Dimension (Inches)		Ballast Net Weight (KG)	Lead Length (Inches)
Length	Width	Height	B max.	Diameter	M1	M2	Length	Width		
2.80	2.25	3.94	3.51	0.25	2.44	3.50	5.50	1.25	1.76	12-14