

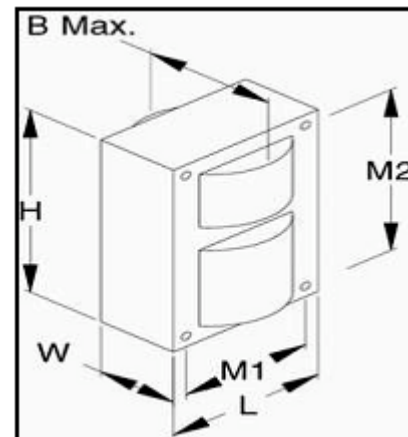
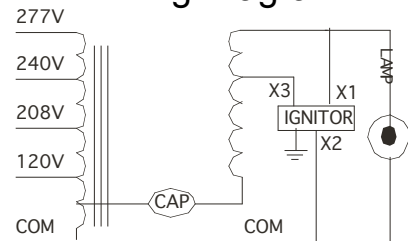


Catalog#	81976
Type:	250W High Pressure Sodium
Voltage:	Quad(120/208/240/277)

BALLAST KIT LU250 QUAD-TAP

Lamp Type	LU250
ANSI Designation	S50
Line Voltage(V)	120/208/240/277
Regulation	10%
Frequency(Hz)	60
Recommended Fuse(A)	7/4/4/3
Circuit Type	CWA
Insulation Class	180
Capacitor Value	35 MF
Capacitor Voltage Rating	280V
Cap.Temp.Rating	105
Winding Materials(Pri/Sec)	Al/Al
Lamp Starter	BI-802
Agency Certification	RU,cRU
Maximum Distance to Lamp	2FT

Wiring Diagram



Electrical Characteristics

Line Volt (V)	Power Factor	Line Current (A)			Input Power (W)	Open Circuit Voltage (V)	Min Start Temp.	UL Temp. Code
		Operating	Open	Start				
120	High	2.50	1.10	1.30	300	200	-40_	B
208	High	1.50	0.60	0.76	300	200	-40_	A
240	High	1.30	0.50	0.65	300	200	-40_	B
277	High	1.10	0.40	0.57	300	200	-40_	B

Physical Characteristics

Overall Dimensions (Inches)				Mounting Holes (Inches)			Bracket Dimension (Inches)		Ballast Net Weight (KG)	Lead Length (Inches)
Length	Width	Height	B max.	Diameter	M1	M2	Length	Width		
4.30	2.17	4.80	4.25	0.25	3.87	4.38	7.25	1.11	5.05	12-14