

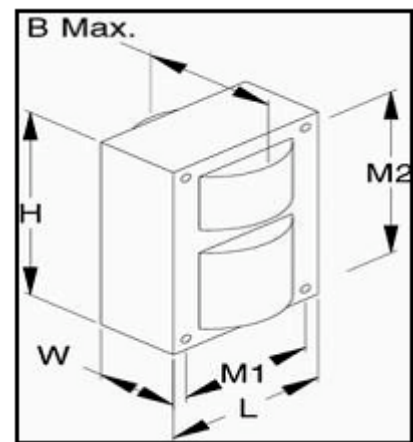
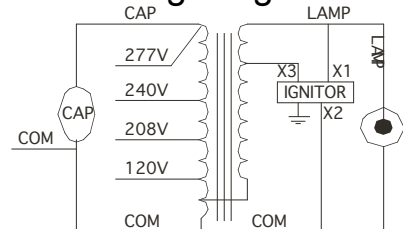


Catalog#	81974
Type:	150W High Pressure Sodium
Voltage:	Quad(120/208/240/277)

### BALLAST KIT LU150 QUAD-TAP

Lamp Type	LU150
ANSI Designation	S55
Line Voltage(V)	120/208/240/277
Regulation	10%
Frequency(Hz)	60
Recommended Fuse(A)	10/5/5/4
Circuit Type	HX-HPF
Insulation Class	180
Capacitor Value	14MF
Capacitor Voltage Rating	300V
Cap.Temp.Rating	105
Winding Materials(Pri/Sec)	Al/Al
Lamp Starter	BI-801
Agency Certification	RU,cRU
Maximum Distance to Lamp	2FT

### Wiring Diagram



### Electrical Characteristics

Line Volt (V)	Power Factor	Line Current (A)			Input Power (W)	Open Circuit Voltage (V)	Min Start Temp.	UL Temp. Code
		Operating	Open	Start				
120	High	3.65	3.20	1.40	185	120	-40_	D
208	High	2.10	1.95	0.90	185	120	-40_	D
240	High	1.80	1.65	0.60	185	120	-40_	D
277	High	1.58	1.45	0.55	185	120	-40_	D

### Physical Characteristics

Overall Dimensions (Inches)				Mounting Holes (Inches)			Bracket Dimension (Inches)		Ballast Net Weight (KG)	Lead Length (Inches)
Length	Width	Height	B max.	Diameter	M1	M2	Length	Width		
2.80	2.75	3.94	4.20	0.25	2.40	3.54	5.50	1.25	3.25	12-14