



Item#: **55267**

## LED 2X4 CENTER BASKET

2X4 LUMINARIES FOR AMBIENT LIGHTING OF INTERIOR COMMERCIAL SPACES

### FEATURES

- Indirect lighting reduces shadows and glare
- Center basket provides soft ambient light.
- Compatible with today's popular ceiling system.
- Use 30% less energy than a linear fluorescent fixture.
- Smooth edges for easy handling.
- Diffusing lens gives soft even lights.

### MOUNTING

- Recessed ceiling mount
- Exposed T-grid ceiling

### APPLICATION

Ideal for offices, retail, commercial buildings and work areas.

PERFORMANCE DATA

### ELECTRICAL

Wattage	34W
Voltage	120-277V
Current	0.27A
Power Factor	0.9
Total Harmonic Distortion (THD)	10

### LIGHTING PERFORMANCE

Lumens	4318
Lumens Per Watt (Lm/W)	127
Color Temperature (CCT)	5000K
Color Rendering (CRI)	80
R9 (Red Value)	14.6
R13 (Skin Tones)	84.2
Beam Angle	120°
Light Distribution	Type III, Very Short
BUG Rating (Backlight, Uplight, and Glare)	B2 - U1 - G1
Dimmable Lighting Control	<i>Dimmable</i> 0-10V, Range 10% - 100%

### ENVIRONMENT

Operating Temperature	-4° ~ 122°F
Suitable Location	<b>DAMP</b>
Ingress Protection Rating	IP40

### LIFESPAN

Average Life (Hours)	50,000
Warranty (Years)	<b>5</b>

### COMPONENTS

LED Light Source	Seoul 3528
Driver	VPL50-085-MVHDA

### CONSTRUCTION

Housing	24 Gauge Steel
Lens	Diffusing Lens
Base / Power Supply	Hard Wired
Finish	White

### QUALIFICATIONS



Visit [www.designlights.org/search](http://www.designlights.org/search) to confirm qualification. • Published lumens on LED products are approximate and may vary slightly. • Specifications are subject to change without notice.

Item#: **55267**  
**LED 2X4 CENTER BASKET**



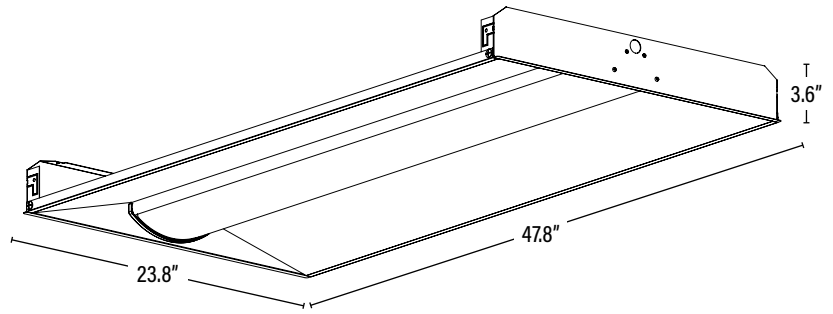
ITEM INFORMATION

**DIMENSIONS** (Inches)

Length	47.8"
Width/Diameter	23.8"
Height	3.6"
Net Weight (Lbs)	--

**SUPPORTING DOCUMENTS** (Grey = not available at this time.)

Product Sheet	VIEW
Install Instructions	VIEW
IES Download from Web Item	VIEW
LM79	VIEW
LM80	VIEW



**PACKAGING**

		UPC	DIMENSIONS (LxWxH)	GROSS WEIGHT (Lbs)
Master Carton	1	811768027549	--	17.6
Country of Origin	China			
HS Tariff	9405.10.6020			

**ORDERING**

ITEM#	DESCRIPTION	CASE
55267	LED 2X4 CENTER BASKET - 34W/50K/120-277V/DIMMABLE - SUPERIOR LIFE® DLC®	1

**ACCESSORIES**

55319	EMERGENCY PACK FOR LED FIXTURE 8W/90 MIN/INTEGRATION TYPE - SL® T20C (For use with drivers that are 100W or less.)	1
55320	EMERGENCY PACK FOR LED FIXTURE 16W/90 MIN/INTEGRATION TYPE - SL® T20C (For use with drivers that are 100W or less.)	1
55321	EMERGENCY PACK FOR LED FIXTURE 25W/90 MIN/INTEGRATION TYPE - SL® T20C (For use with drivers that are 100W or less.)	1

**REPLACEMENT PARTS**

551486	REPLACEMENT LENS FOR LED 2X4 DIRECT/INDIRECT	1
VEL50085MVHDA	REPLACEMENT DRIVER	1

**ADDITIONAL INFORMATION:**

Family Item: 55268/4000K