



Item#: **55243**
LED 96" DESIGNER STRIP
 DIRECT LINEAR AMBIENT LUMINARIES

FEATURES

- Diffusing lens for bright, uniform light.
- Low-profile with a limitless range of applications.
- Uses 30% less energy than a linear fluorescent fixture.
- All steel surfaces are painted after fabrication for smooth edges and rounded corners.

MOUNTING

- Designed for surface or suspended chain mounting; individually or in a continuous row.

APPLICATION

Ideal for larger warehouses, retail applications, commercial buildings and work areas.

ELECTRICAL

Wattage	65W
Voltage	120-277V
Current	0.526A
Power Factor	0.9
Total Harmonic Distortion (THD)	10

LIGHTING PERFORMANCE

Lumens	8580
Lumens Per Watt (Lm/W)	132
Color Temperature (CCT)	4000K
Color Rendering (CRI)	80
R9 (Red Value)	15
R13 (Skin Tones)	84
Beam Angle	130°
Light Distribution	Type II, Very Short
BUG Rating (Backlight, Uplight, and Glare)	B2 - U4 - G3
Dimmable Lighting Control	<i>Dimmable</i> 0-10V, Range 10% - 100%

ENVIRONMENT

Operating Temperature	-4° ~ 122°F
Suitable Location	DAMP
Ingress Protection Rating	IP40

LIFESPAN

Average Life (Hours)	50,000
Warranty (Years)	5

COMPONENTS

LED Light Source	Seoul 3528
Driver	ESPEN VEL75140MVHDA

CONSTRUCTION

Housing	24 Gauge Steel
Base / Power Supply	Hard Wired
Finish	White Baked Enamel

QUALIFICATIONS



Visit www.designlights.org/search to confirm qualification. - Published lumens on LED products are approximate and may vary slightly.

PERFORMANCE DATA

PACKAGING

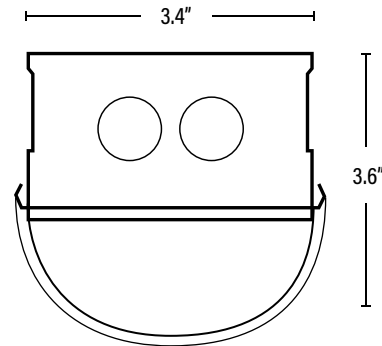
Item#: **55243**
LED 96" DESIGNER STRIP



DIMENSIONS (Inches)

Length	96"
Width/Diameter	3.4"
Height	3.6"
Weight (Lbs)	--

Line drawings may not be to scale and are for general reference only.



SUPPORTING DOCUMENTS (Grey = not available at this time.)

Product Sheet	VIEW
Install Instructions	VIEW
IES Download from Web Item	VIEW
LM79	VIEW
LM80	VIEW

PACKAGING

		UPC	DIMENSIONS (LxWxH)	GROSS WEIGHT (Lbs)
Master Carton	1	10811768025061	97.4" x 4.6" x 4.3"	13.4
Individual Box	1	811768025064	--	--
Country of Origin	China			
HS Tariff	9405.10.6020			

ORDERING

ITEM#	DESCRIPTION	CASE
55243	LED 96" DESIGNER STRIP - 65W/40K/120-277V/DIMMABLE - SUPERIOR LIFE® DLC®	1

ACCESSORIES/REPLACEMENT PARTS

54896	360° LED LOW/HIGH BAY FIXTURE PIR OCCUPANCY SENSOR 800W/1200W-120-277V - SUPERIOR LIFE®	50
54897	360° LED LOW BAY BI-LEVEL AND DAYLIGHT HARVEST MICROWAVE SENSOR 48' DIA/8-20' HEIGHT 800W/1200W - 120/277V - SL®	50
54898	360° LED HIGH BAY BI-LEVEL AND DAYLIGHT HARVEST MICROWAVE SENSOR 60' DIA/8-50' HEIGHT 800W/1200W - 120/277V - SL®	50
54894	EXTENDER MODULE FOR SENSOR 54896/54897/54898 - SUPERIOR LIFE®	100
55455	ROW ALIGNER FOR DESIGNER STRIP - SUPERIOR LIFE®	100
55390	EMERGENCY PACK FOR LED FIXTURE 8W/90 MIN/SPLIT TYPE/L (For use with drivers that are 100W or less.)	1
55391	EMERGENCY PACK FOR LED FIXTURE 16W/90 MIN/SPLIT TYPE/L (For use with drivers that are 100W or less.)	1
XXXXX	REPLACEMENT LENS FOR LED DESIGNER STRIP (*see note below)	1
VEL75140MVHDA	REPLACEMENT DRIVER	1

ADDITIONAL INFORMATION:

Family Items: 55244/5000K

***LENS REPLACEMENT:**

Designer Strips that use double lenses will require 2 ea. of 551348 replacement lens.
 Designer Strips that use a single 96" lens will require 1 ea. of 551368 replacement lens.

PERFORMANCE DATA

PACKAGING