

---

# Instruction Menu

---



## Retrofit:LED Tube Lamps

Code	Description	Color	Finish
90623	LED DIP 300 REPLACEMENT FOR T8/SOFT WHITE	30K	Clear
90624	LED DIP 300 REPLACEMENT FOR T8/NATURAL BRITE	41K	Clear
90628	LED DIP 300 REPLACEMENT FOR T8/VITA-BRITE®	60K	Clear
90625	LED SMD 300 REPLACEMENT FOR T8/SOFT WHITE	30K	Clear
90626	LED SMD 300 REPLACEMENT FOR T8/VITA-BRITE®	60K	Clear
90627	LED SMD 300 REPLACEMENT FOR T8/NATURAL BRITE	41K	Clear

WATTAGE:17W VOLTAGE:AC 100-277V CURRENT:0.18A-0.06A FREQUENCY:50/60Hz  
LEDs:300 TUBE LENGTH:1200MM

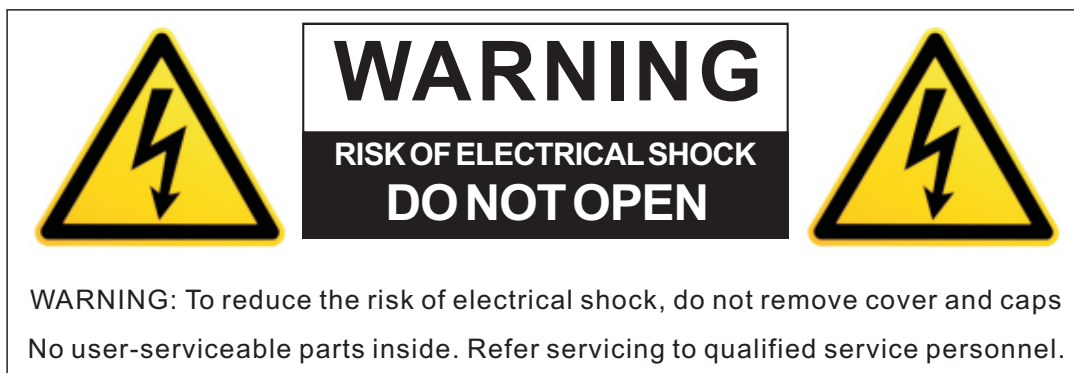
# SECTION 1 - General Information

Kit components: 1-LED Tube, 1-Label and 1-Set of Instructions

Models were only evaluated for factory installation to end luminaire, or to end Retrofit Luminaire, intended to replace a fluorescent lamp where it is necessary to modify the luminaire. These LED Tube Lamps intended to retrofit maximum four lamps, surface mount, or Type IC recessed mount fluorescent luminaries that use straight tubular 4-foot lamps.

- These lamps should be installed by a licensed electrician.
- These lamps work on line voltage and require all ballasts to be removed before the bulb is to be installed in the luminaire.
- These lamps are to be used in indoor dry or damp location only. Not suitable for wet location luminaire.
- These lamps are not to be used with a light dimmer. The starters need to be bypassed.  
Always contact ground lead to luminaire where applicable.
- Please contact your authorized dealer or distributor, if you have any questions not addressed in these instructions.

## SECTION 2- WARNING



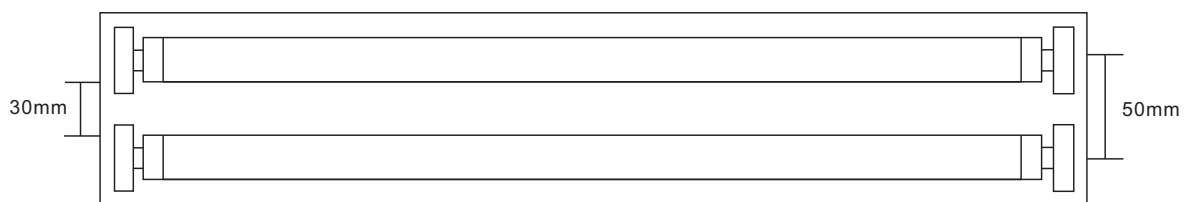
WARNING : TO REDUCE THE RISK OF FIRE OR ELECTRICAL SHOCK,  
DO NOT EXPOSE THIS APPARATUS TO RAIN OR MOISTURE  
LUMINAIRE CONVERSION, RETROFIT



FOR USE ONLY WITH FLUORESCENT LUMINAIRES IDENTIFIED IN MANUFACTURER'S INSTRUCTIONS

**THIS PRODUCT MUST BE INSTALLED IN ACCORDANCE WITH THE APPLICABLE INSTALLATION CODE BY A PERSON FAMILIAR WITH THE CONSTRUCTION AND OPERATION OF THE PRODUCT AND THE HAZARDS INVOLVED.**

These lamps can be used in any standard T8 lamp luminaire, allowing for its minimum spacing requirements



Minimum distance  
between lamps

②

Minimum distance  
between lamps pin  
sockets

**WARNING-Risk of fire or electric shock.** Reflector kit installation requires knowledge of fluorescent lighting luminaires electrical systems. If not qualified, do not attempt installation. Contact a qualified electrician.

**WARNING-Risk of fire or electric shock.** The electrical rating of this product is AC120V~277V, the installer must determine whether they have AC100V~277V at the luminaire before installation.

**WARNING-Risk of fire or electric shock.** Install this kit only in the luminaires that has the construction features and dimensions shown in the photographs and/or drawings.

**WARNING-Risk of fire or electric shock.** Luminaires wiring, ballasts, or other electrical parts may be damaged when drilling for installation of reflector kit hardware. Check for enclosed wiring and components.

**WARNING-To prevent wiring damage or abrasion, do not expose wiring to edges of sheet metal or other sharp objects.**

**WARNING- Risk of fire or electric shock.** Do not use this retrofit kit in luminaires employing shunted bi-pin lamp holders.

**WARNING - THE RETROFIT ASSEMBLY IS ACCEPTED AS A COMPONENT OF A FLUORESCENT**

LUMINAIRE WHERE THE SUITABILITY OF THE COMBINATION SHALL BE DETERMINED BY CSA OR AUTHORITIES HAVING JURISDICTION.

“Do not make or alter any open holes in an enclosure of wiring or electrical components during kit installation.”

“Not for use with dimmers.”

“The end retrofit luminaire has been modified and can no longer operate the originally intended lamp.”

“Caution-Risk of Electric Shock-Use in Dry and Damp Locations Only.”

“Risk of Electric shock-Do Not Use Where Directly Exposed To Water.”

“This device is not intended for use with emergency exit fixtures or emergency exit lights.”

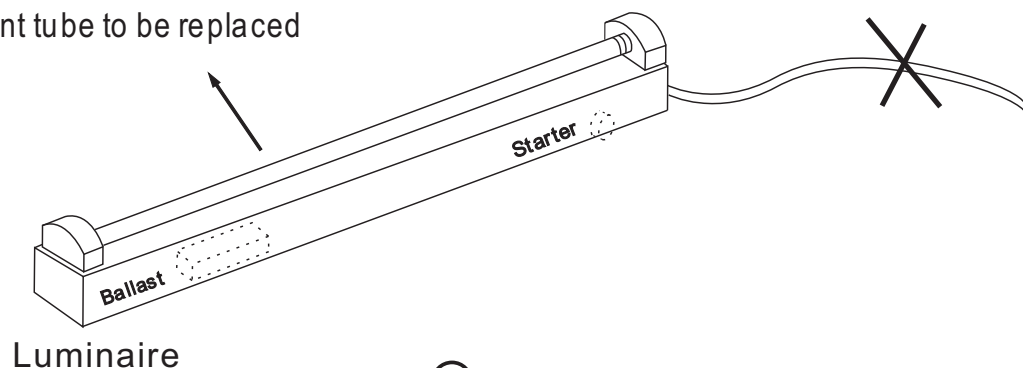
“IMPORTANT SAFETY INSTRUCTIONS”

“DANGER-RISK OF SHOCK  
-DISCONNECT POWER  
BEFORE INSTALLATION”

### SECTION3-Installation Instruction

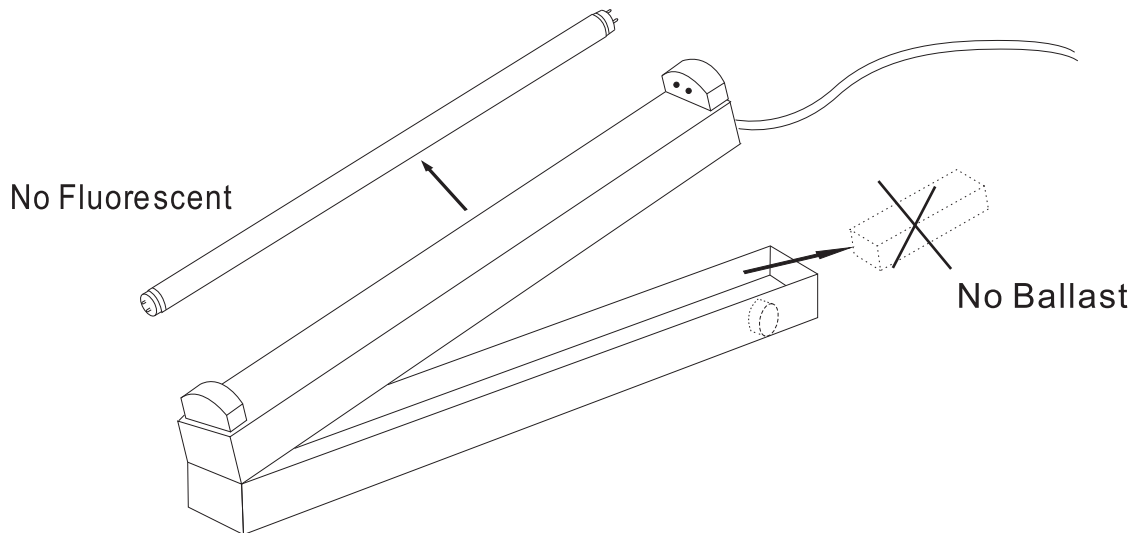
#### **1** Disconnect power

Fluorescent tube to be replaced



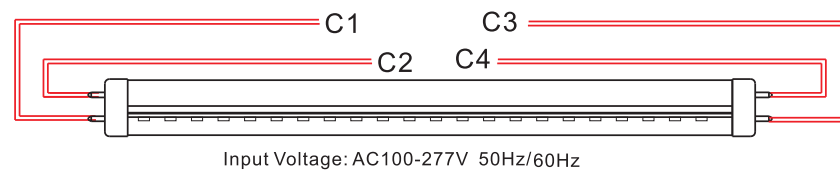
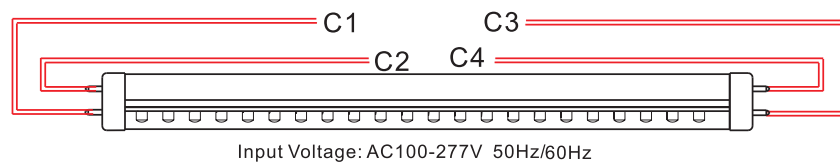
Luminaire

## 2 Remove fluorescent tube, ballast

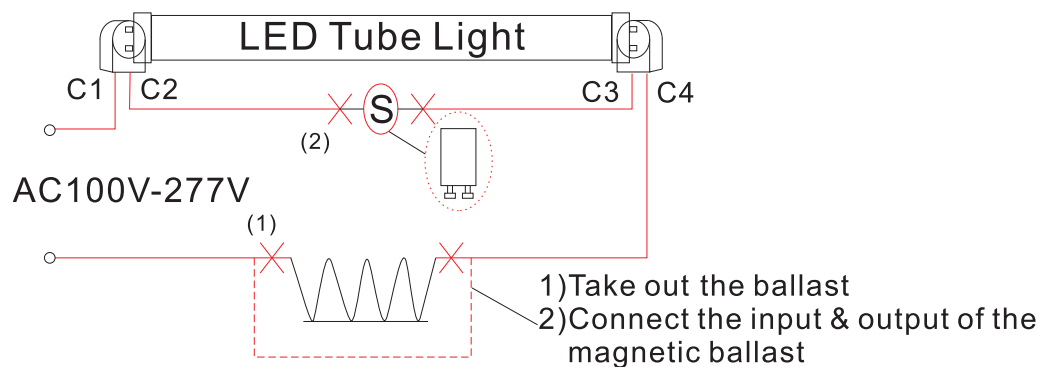


## 3 Principle of wire circle

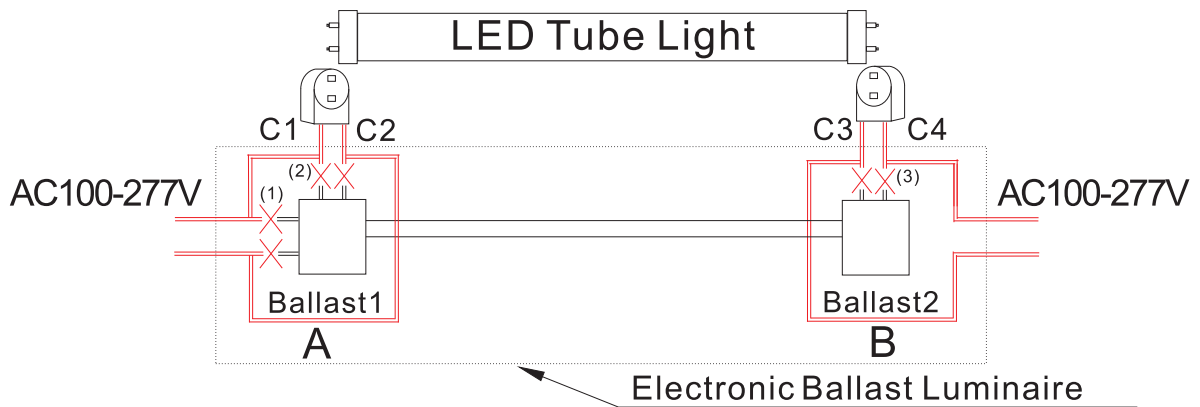
### 1) Principle of wire circle



### 2) Luminaire connecting



C. The Luminaire with magnetic ballast & starter



D. The luminaire with electronic ballast

### 3) Description

(1) To make the tube light on power and work, wire L and wire N, should be separately connected to any one wire of C1, C2, C3, C4 (see above figure A, B, C, D).

(2) The wire L and wire N can be separately connected to more than one wire from C1, C2, C3, C4.

(3) To avoid the risk of electric shock issue, do not connect the two wires L and N together.

### 4) Operating

(1) Turn off power first, and take out of the shell in the luminaire

(2) Show as in the above figure A, B, C, D. Cut off the wires as show (1)(2)(3) in figure C, D. Connect the wires

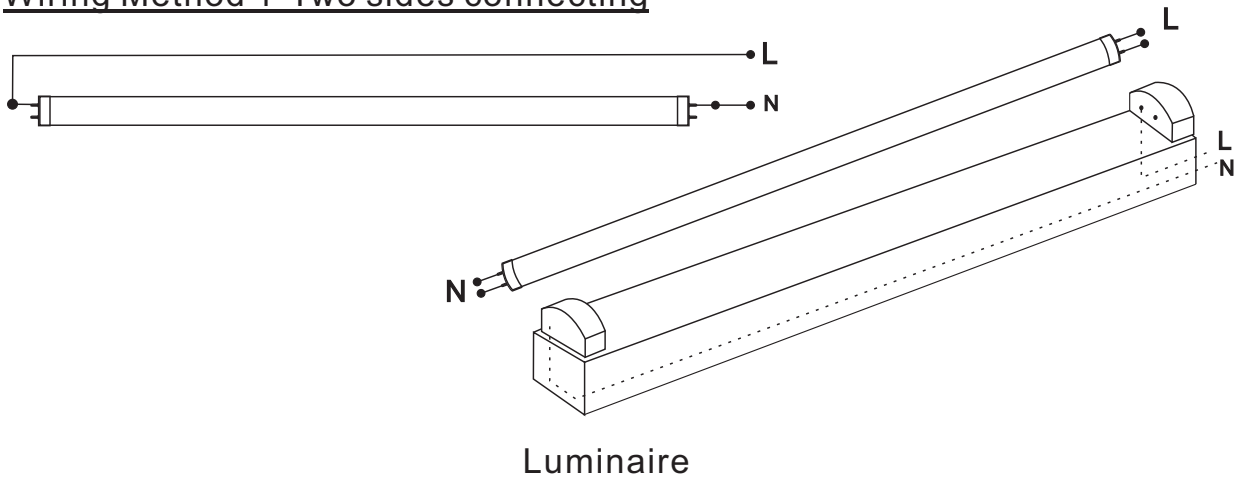
(3) Use the electric rubberized fabric or pressing wire cap to enlase well all the power supply cord parts which were cut off, especially the end sides of power supply cord.

This is to prevent circuit from shorting and electronic shocking.

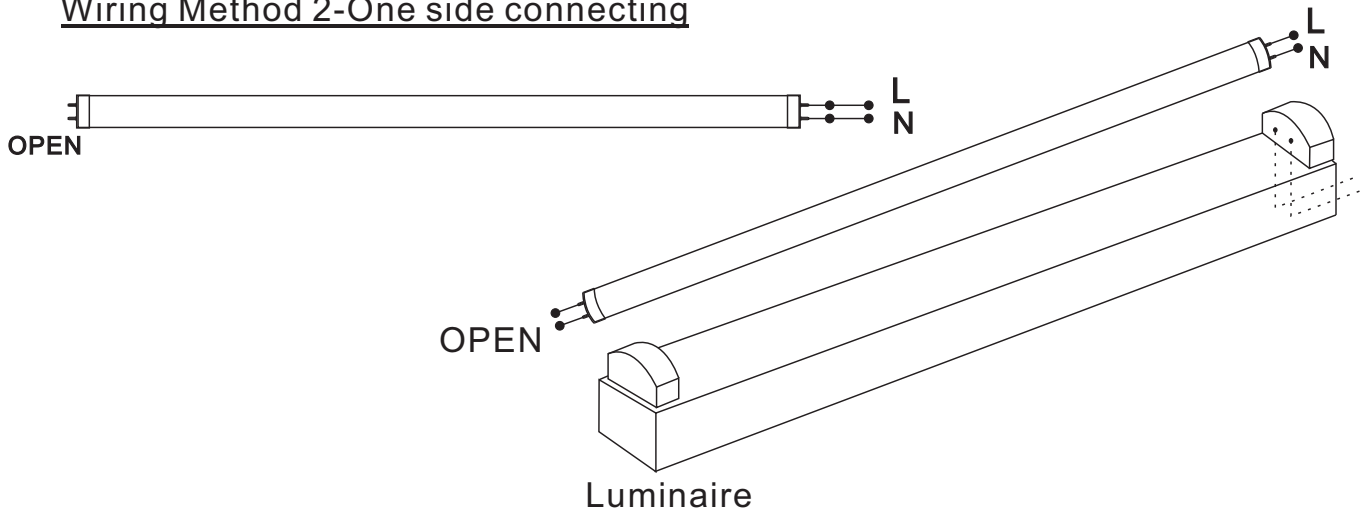
5) Assemble the shell, install LED tube light, power on.

## 4 Wiring according to one of the follow diagrams

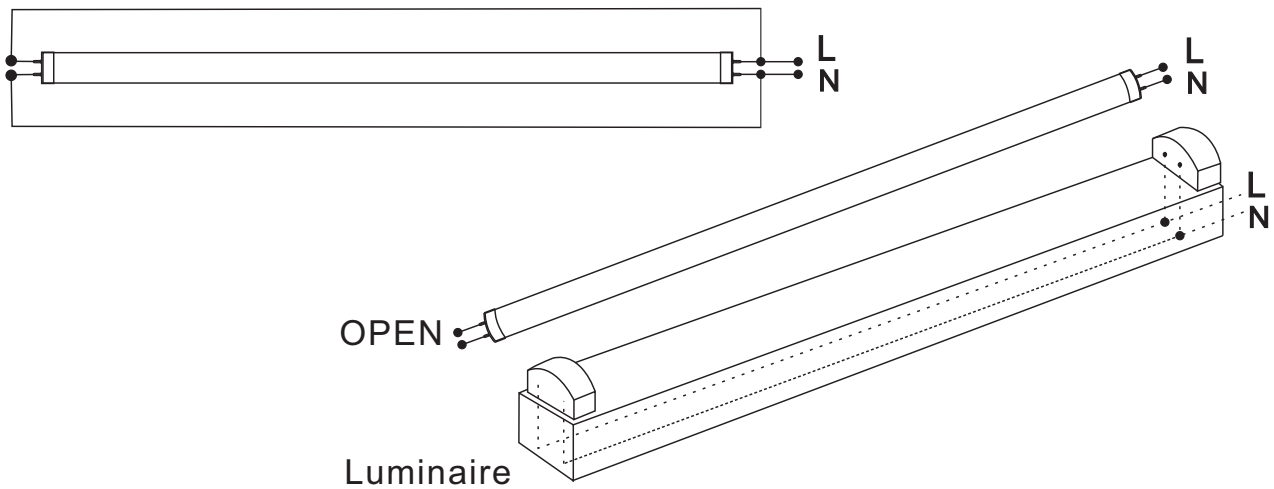
### Wiring Method 1-Two sides connecting



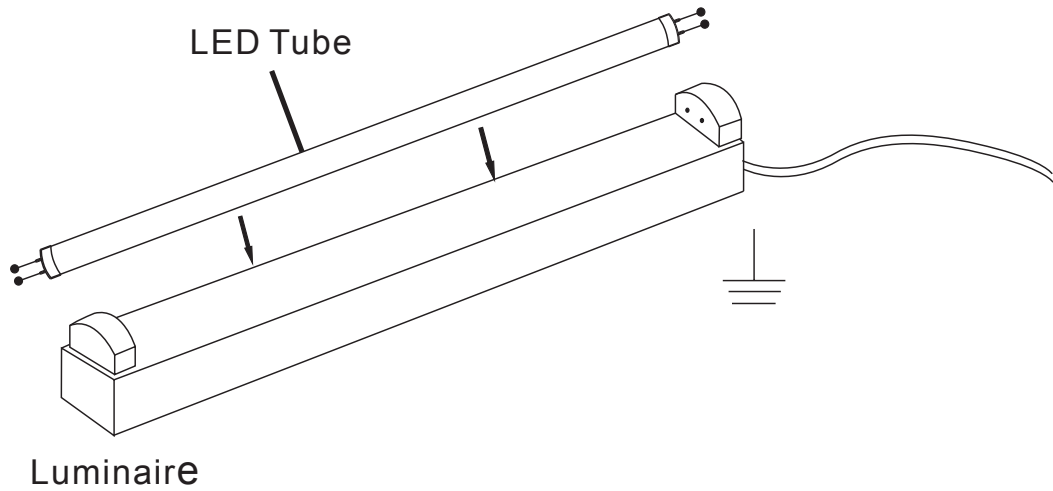
### Wiring Method 2-One side connecting



### Wiring Method 3-Four pins connecting

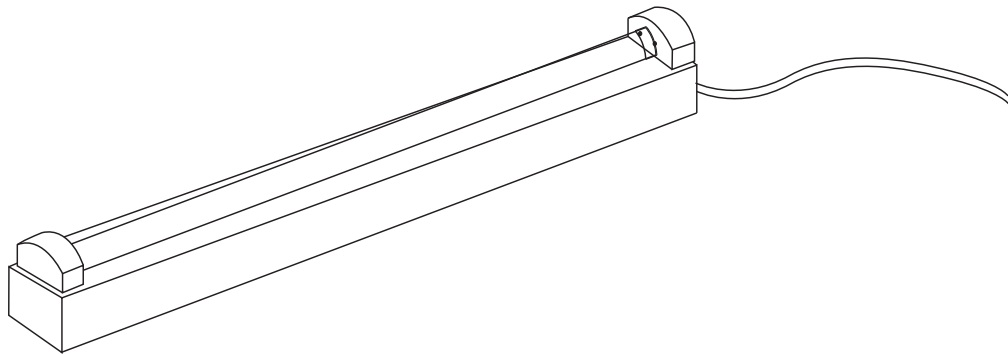


## 5 Install LED tube and Earth (Ground)



Ballast and Starter must be operated with the method as in step 3  
Adapt one of the three wiring methods in step 4 before installing LED tube

## 6 Connect to power



This luminaire has been modified and no longer operates Fluorescent Lamps.  
Use only Superior Life® Models 90623,90624,90625,90626,90627,90628  
LED Tube lamps for lamp replacement.

These Kits, Replacement Label, and Installation instruction are provided with the LED Tube.